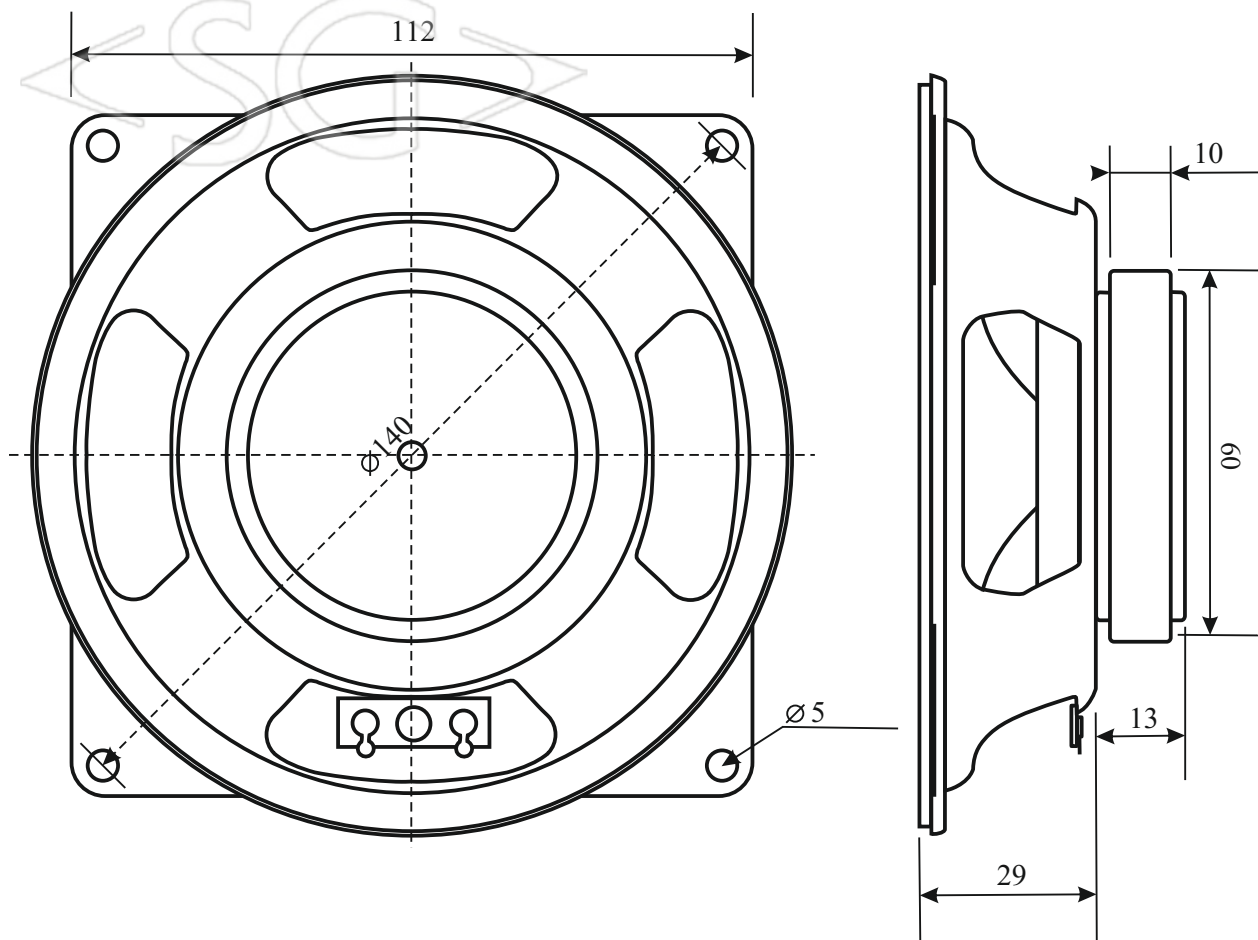


SPECIFICATIONS

PARAMETERS	VALUES	UNITS
RATED INPUT POWER	8	Wt
MAX INPUT POWER	15	Wt
IMPEDANCE	4 ± 15%	OHM
OUTPUT SPL @ 1W/1M	91 ± 3	dBA
DISTORTION (MAX.)	7%	-
RESONANT FREQUENCY	140 ± 20%	Hz
FREQUENCY RANGE	160 ~ 14,000	Hz
HOUSING MATERIAL	METAL	-
CONE MATERIAL	PAPER	-
MAGNET MATERIAL	FERRITE	-
OPERATING TEMPERATURE	-10 ~ +55	°C
WEIGHT	220	grams



Замечание:

Все размеры даны в миллиметрах.

UNLESS OTHERWISE SPECIFIED: DIMENSIONS ARE IN MILLIMETERS, TOLERANCES ARE ±0.5 AND ANGLES ARE ±3°.	SIZE	Designed by	Date	Checked by	Date	Approved by	Date	Drawn Date	
	A3								
						YD125-6RU			
						Speaker		Edition -	Sheet 1 / 1