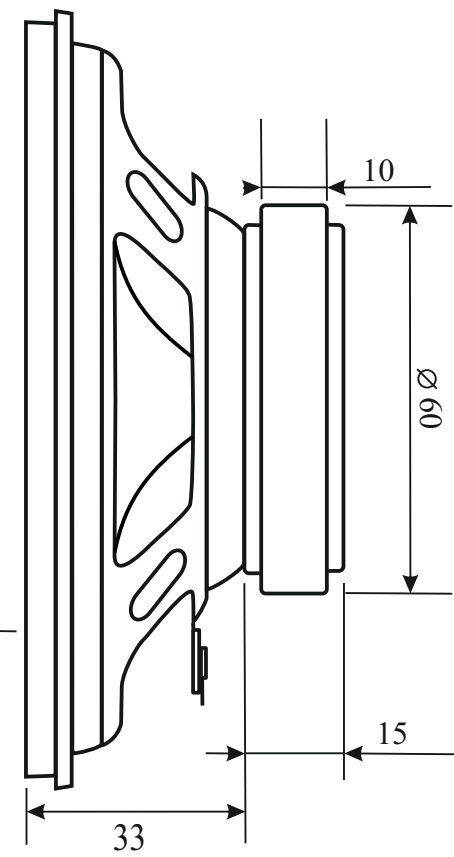
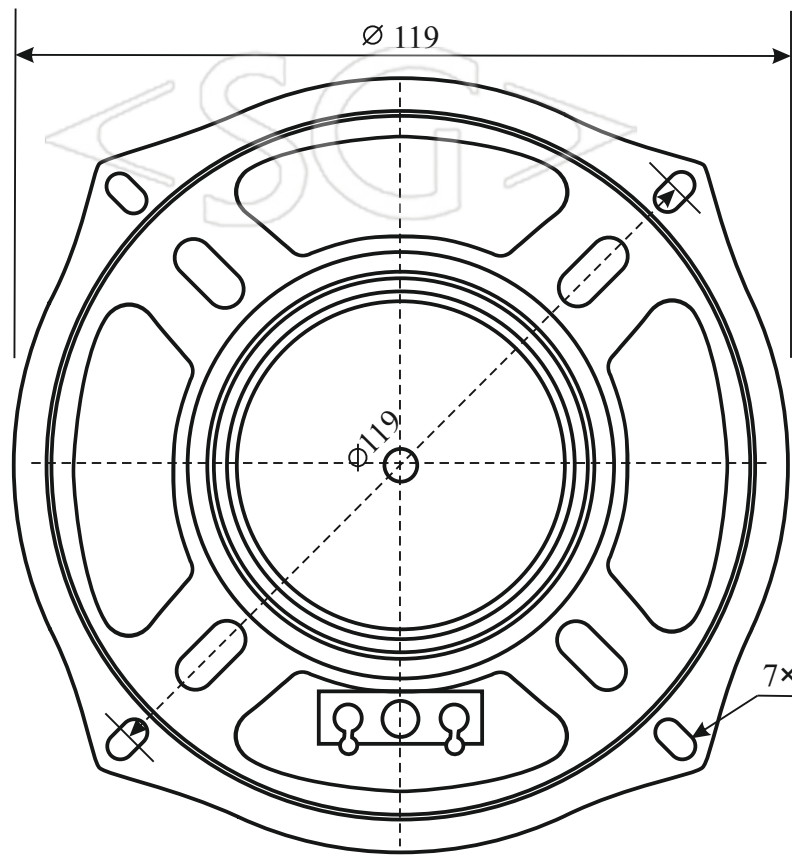


SPECIFICATIONS

PARAMETERS	VALUES	UNITS
RATED INPUT POWER	5	Wt
MAX INPUT POWER	10	Wt
IMPEDANCE	8 ± 15%	OHM
OUTPUT SPL @ 1W/1M	88 ± 3	dBa
DISTORTION (MAX.)	7%	-
RESONANT FREQUENCY	95 ± 20%	Hz
FREQUENCY RANGE	95 ~ 10,000	Hz
HOUSING MATERIAL	METAL	-
CONE MATERIAL	PAPER	-
CONE EDGE MATERIAL	FOAM RUBBER	-
MAGNET MATERIAL	FERRITE	-
OPERATING TEMPERATURE	-10 ~ +55	°C
WEIGHT	250	grams



**Замечание:**  
Все размеры даны в миллиметрах.

UNLESS OTHERWISE SPECIFIED: DIMENSIONS ARE IN MILLIMETERS, TOLERANCES ARE ±0.5 AND ANGLES ARE ±3°.	SIZE <b>A3</b>	Designed by	Date	Checked by	Date	Approved by	Date	Drawn Date	
		<b>YD120-2YP</b>						Edition	Sheet
		<b>Speaker</b>						-	1 / 1