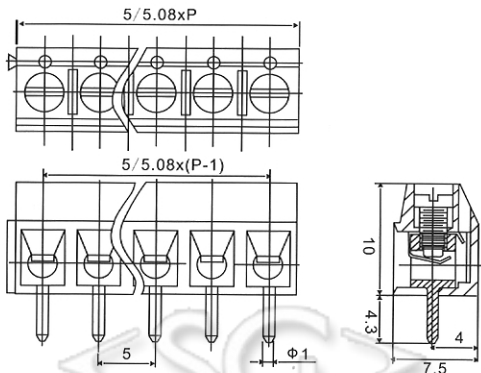
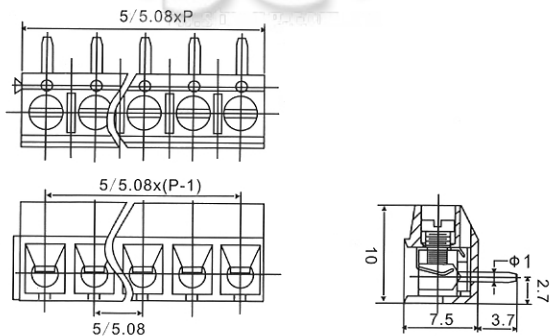


S:



R:



Pitch (间距):	5.00mm H=10mm
Approval (认证):	Applying (UL VDE)
Rated voltage (电压):	300V
Rated current (电流):	16A
Wire range (线径):	14-22AWG
Torque (扭力):	0.4N.m
PCB hole Dia. (PCB孔直径):	$\phi 1.3$ mm
Screw (螺丝):	M2.5, Steel, Zinc plated
Insulating material (材料):	Nylon PA66 (UL94V-0)
Temperature range (温度):	-40°C/+120°C
Terminal (端子):	Brass, Tin plated
Wire Protector (弹片):	Stainless steel
STD color (标准颜色):	Black/Blue